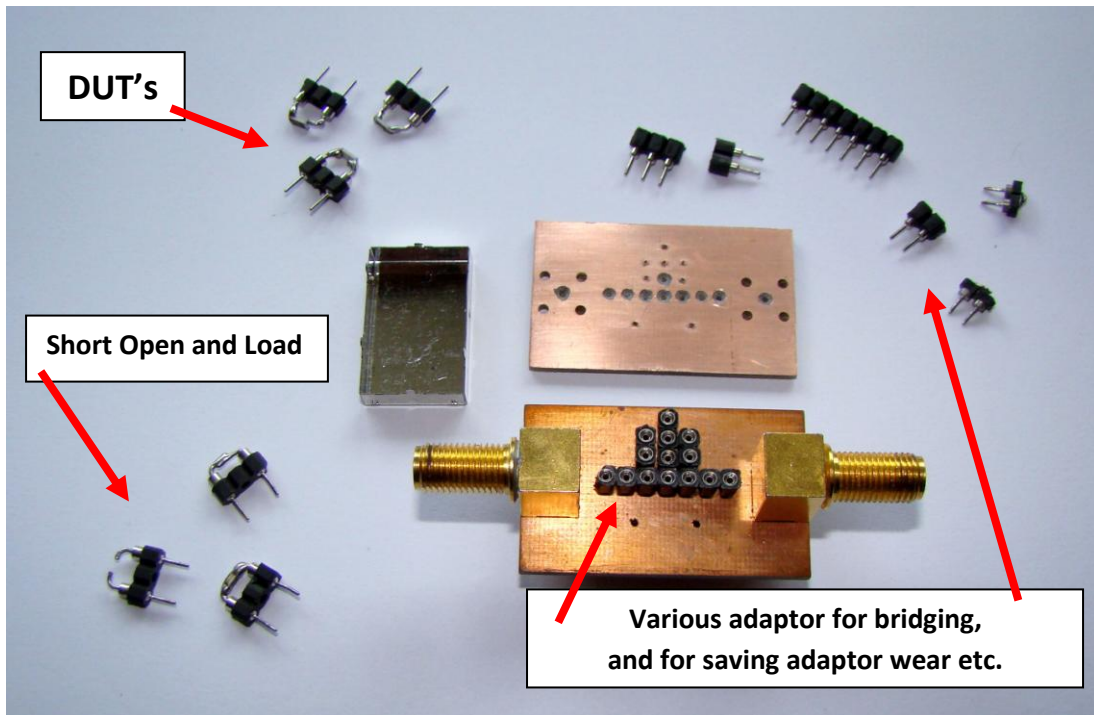


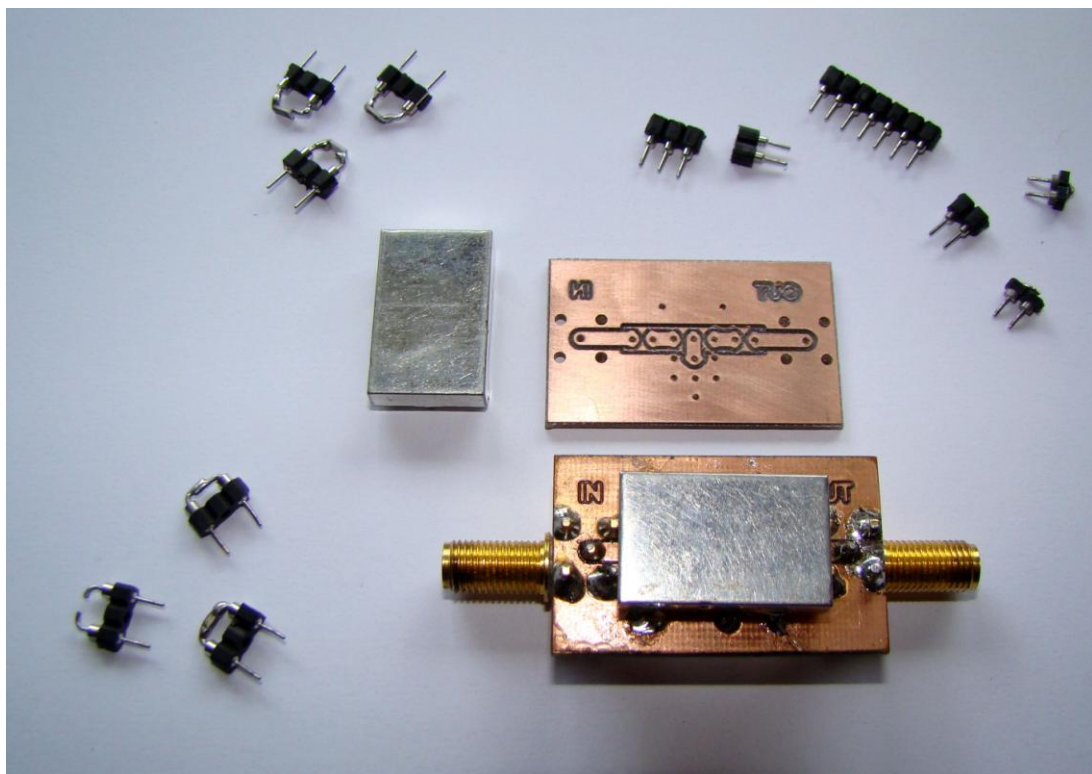
A universal testadaptor for the VNWA2 and VNWA3 or any other VNA

This testadaptor can be used for measuring X-Tals, SMD components and whatever you like to examine.

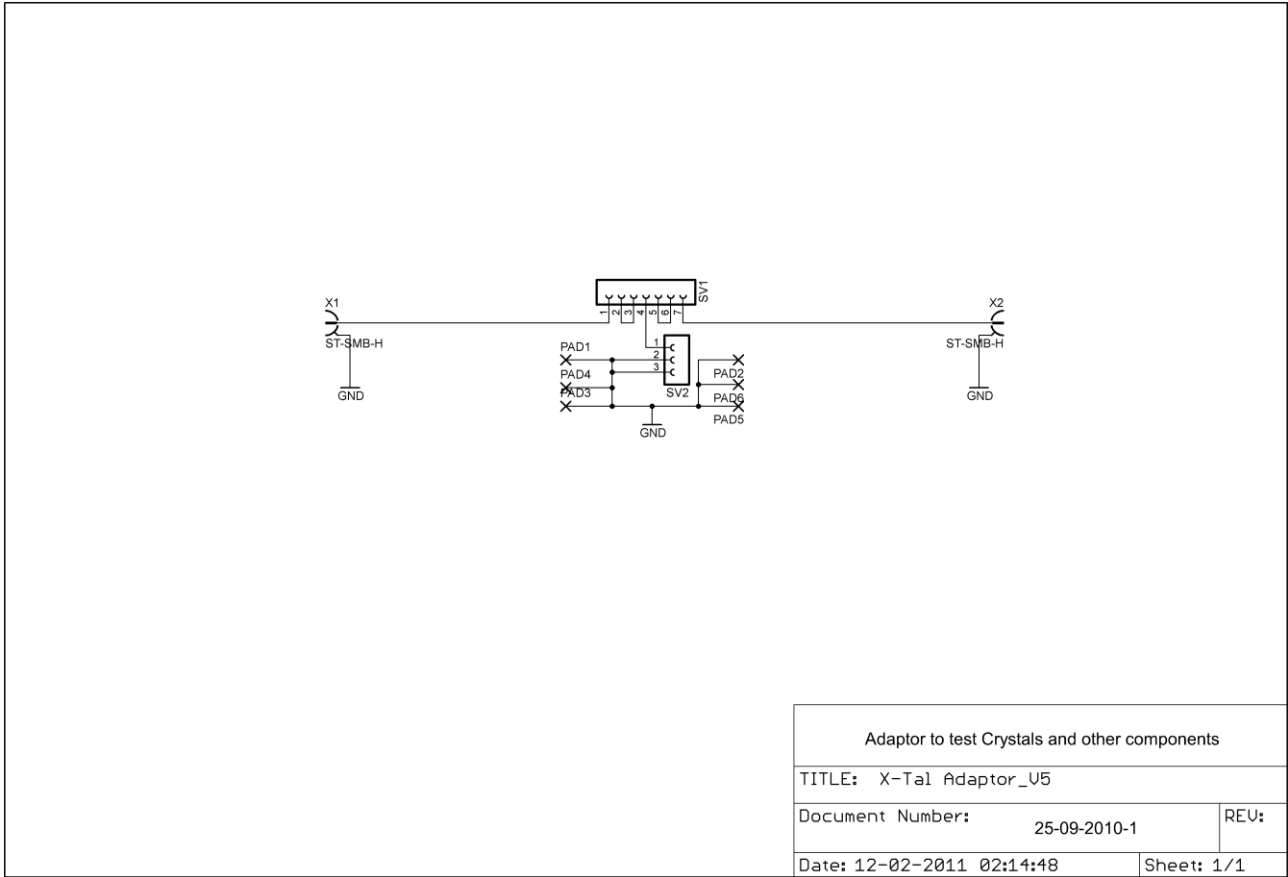
The picture below shows the adaptors top view



The picture below shows the adaptor bottom view



Below the Scematic shown



Below the PCB Layout

